



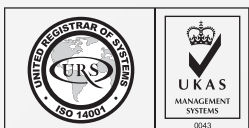
## SF-I175 SERIES

Z-TYPE SERRATED  
LOCK WASHER (S)

STAINLESS  
STEEL

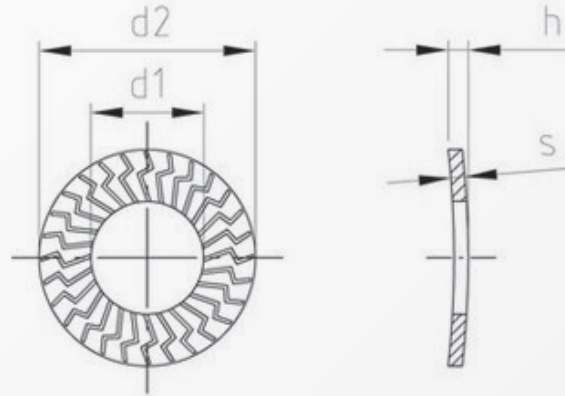
A4

PASSIVATED



# Z-TYPE SERRATED LOCK WASHER (TYPE S)

STAINLESS STEEL A4



Dimensions	$d_1$	$d_2$	h	s
4	4.4	8.2	1.4	1.05
5	5.4	10.2	1.5	1.05
6	6.4	12.2	1.85	1.24
8	8.56	16.2	2.4	1.44
10	10.56	20.25	2.6	1.65
12	12.83	24.25	2.7	1.65

Above datas are for reference only

Part number built example:

e.g. (1) Diameter M6 in stainless A4 material >>SF-I175 M6



sales@synergixfast.com



www.synergixfast.com



Phone: +65 6 316 2630 | Fax: +65 6 316 2730