



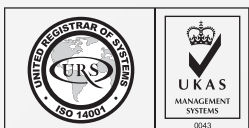
SF-I176 SERIES  
SF-I177 SERIES

Z-TYPE SERRATED  
LOCK WASHER

STAINLESS  
STEEL

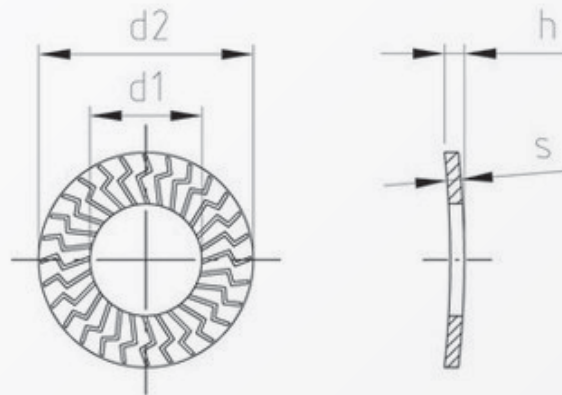
A2 | A4

PASSIVATED



## Z-TYPE SERRATED LOCK WASHER (TYPE M)

STAINLESS STEEL A2 & A4



Dimensions	d <sub>1</sub>	d <sub>2</sub>	h	s
4	4.4	10.2	1.5	1.05
5	5.4	12.2	1.9	1.24
6	6.4	14.2	2.2	1.44
8	8.56	18.2	2.4	1.44
10	10.56	22.25	2.75	1.65
12	12.83	27.25	3.1	1.85
14	14.83	30.25	3.7	2.46
16	16.83	32.5	3.95	2.56
20	21.75	40	4.7	3.06

Above datas are for reference only

Part number built example:

e.g. (1) Diameter M8 in stainless A2 material      » SF-I176 M8  
e.g. (2) Diameter M12 in stainless A4 material      » SF-I177 M12



sales@synergixfast.com



www.synergixfast.com



Phone: +65 6 316 2630 | Fax: +65 6 316 2730