



## SF-I182 SERIES

SCHNORR VS (Ref.)

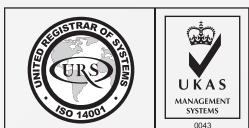
STAINLESS  
STEEL

A2

PASSIVATED

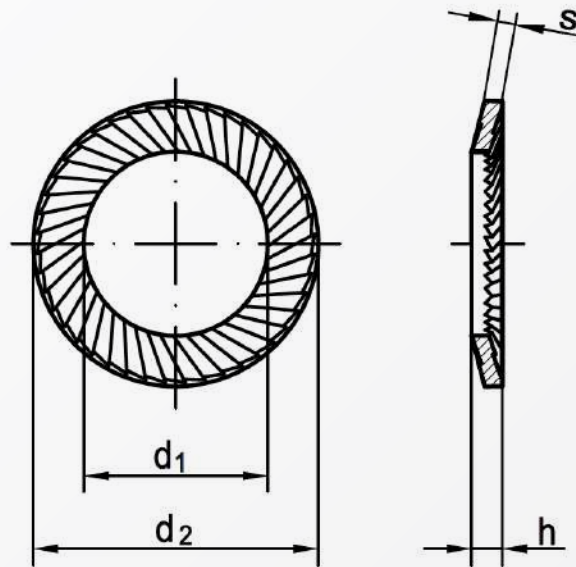


RoHS Directive Compliance



# RIBBED LOCK WASHERS (TYPE VS)

STAINLESS STEEL A2



Dimensions	$d_1^1$	$d_2^2$	s	h	for inch thread Ø
5	5.3	9	1	1.3	3/16"
6	6.4	10	1	1.4	-
8	8.4	13	1.2	1.7	5/16"
10	10.5	16	1.5	2	3/8"
12	13	18	1.5	2.1	-
14	15	22	1.5	2.2	9/16"
16	17	24	2	2.6	5/8"
18	19	27	2	2.7	-
20	21	30	2	2.8	-
22	23	33	2	3	7/8"
24	25.6	36	2.5	3.4	-
27	28.6	39	2.5	3.5	-
30	31.6	45	2.5	3.8	1 1/8"

Above datas are for reference only

Part number built example:

e.g. (1) Diameter M8 in stainless A2 material >>SF-I182 M8



sales@synergixfast.com



www.synergixfast.com



Phone: +65 6 316 2630 | Fax: +65 6 316 2730