



SF-I188 SERIES

WEDGE LOCK SP (Ref.)

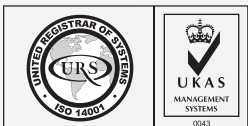
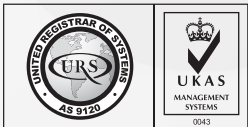
STAINLESS
STEEL

A4

PASSIVATED

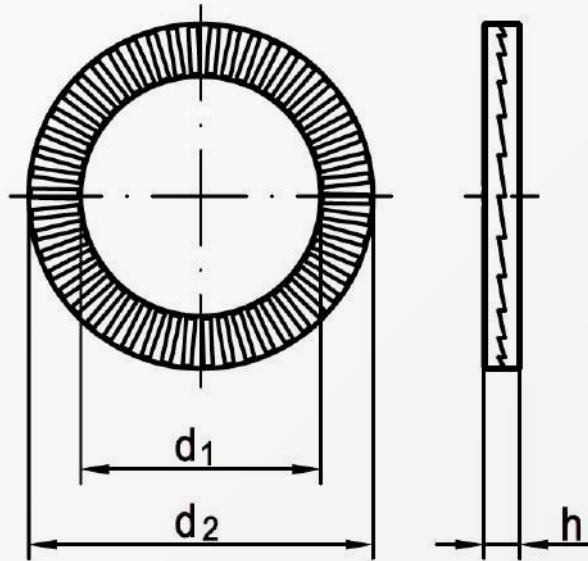


RoHS Directive Compliance



WEDGE LOCK WASHERS (TYPE SP)

STAINLESS STEEL A4



Dimensions	d ₁	d ₂	h	for inch thread Ø
3.5	3.9	9	2.2	No. 6
4	4.4	9	2.2	No. 8
5	5.4	10.8	1.8	No. 10
6	6.5	13.5	2.5	-
8	8.7	16.6	2.5	5/16"
10	10.7	21	2.5	-
12	13	25.4	3.4	-
14	15.2	30.7	3.4	9/16"
16	17	30.7	3.4	5/8"
18	19.5	34.5	3.4	-
20	21.4	39	3.4	-
22	23.4	42	4.6	7/8"

Above datas are for reference only

Part number built example:

e.g. (1) Diameter M8 in stainless A4 material >>SF-I188 NL8SP



sales@synergixfast.com



www.synergixfast.com



Phone: +65 6 316 2630 | Fax: +65 6 316 2730