



SF-I190 SERIES
SF-I290 SERIES

DIN 7980

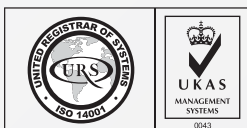
STAINLESS
STEEL

A2 | A4

PASSIVATED

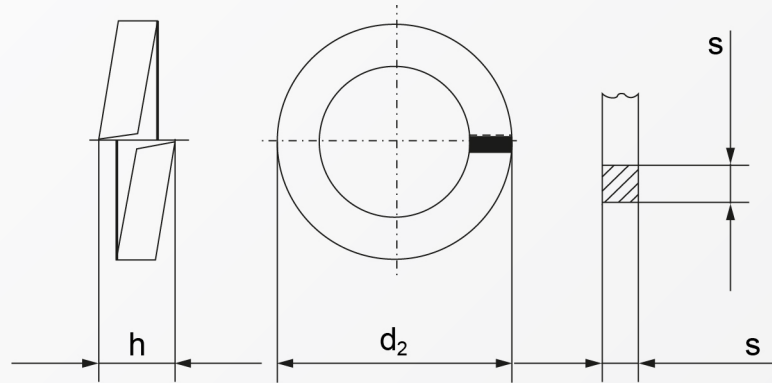


RoHS Directive Compliance



SPRING LOCK WASHERS <SMALL OD> (FOR CHEESE HEAD | SOCKET CAP SCREW USE)

STAINLESS STEEL A2 & A4



Dimensions	d_2	s	h	for thread \emptyset
M3	5.6	1	2	3
M4	7	1.2	2.4	4
M5	8.8	1.6	3.2	5
M6	9.9	1.6	3.2	6
M8	12.7	2	4	8
M10	16	2.5	5	10
M12	18	2.5	5	12
M14	21.1	3	6	14
M16	24.4	3.5	7	16
M18	26.4	3.5	7	18
M20	30.6	4.5	9	20
M22	32.9	4.5	9	22
M24	35.9	5	10	24
M27	38.9	5	10	27
M30	44.1	6	12	30
M33	47.1	6	12	33
M36	52.2	7	14	36
M42	60.2	8	16	42
M48	67	8	16	48

Above datas are for reference only

Part number built example:

e.g. (1) Diameter M5 in stainless A2 material >>SF-I190 M5
e.g. (2) Diameter M10 in stainless A4 material >>SF-I290 M10



sales@synergixfast.com



www.synergixfast.com



Phone: +65 6 316 2630 | Fax: +65 6 316 2730