



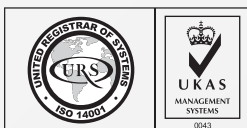
SF-I192 SERIES
SF-I193 SERIES

ISO 7093
DIN 9021

STAINLESS STEEL

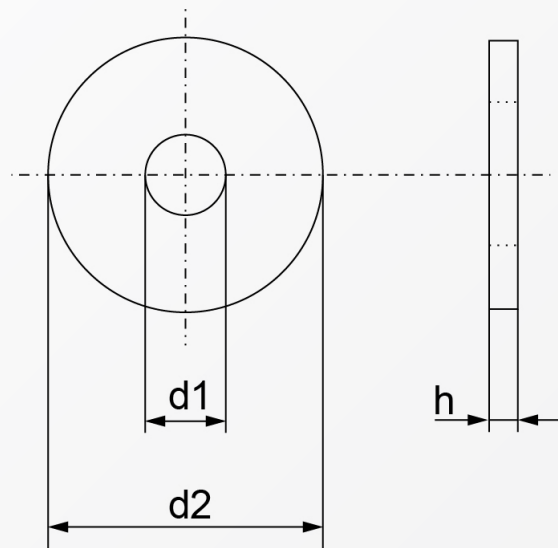
A2 | A4

PASSIVATED



FLAT WASHERS (LARGE OD)

STAINLESS STEEL A2 & A4



d ₁	d ₂	h
3.2	9	0.8
3.7	11	0.8
4.3	12	1
5.3	15	1.2
6.4	18	1.6
7.4	22	2
8.4	24	2
10.5	30	2.5
13	37	3
15	44	3
17	50	3
20	56	4
22	60	4
23/24	66	5
26	72	5
30	85	6
33	92	6
36	105	6
39	110	8

Above datas are for reference only
*not included in ISO product standards → ISO 887

Part number built example:

e.g. (1) Diameter M5 in stainless A2 material » SF-I192 M5
e.g. (2) Diameter M16 in stainless A4 material » SF-I193 M16



sales@synergixfast.com



www.synergixfast.com



Phone: +65 6 316 2630 | Fax: +65 6 316 2730