



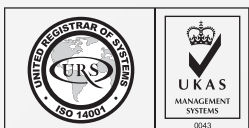
SF-I195 SERIES
SF-I196 SERIES

ISO 7092
DIN 433

STAINLESS
STEEL

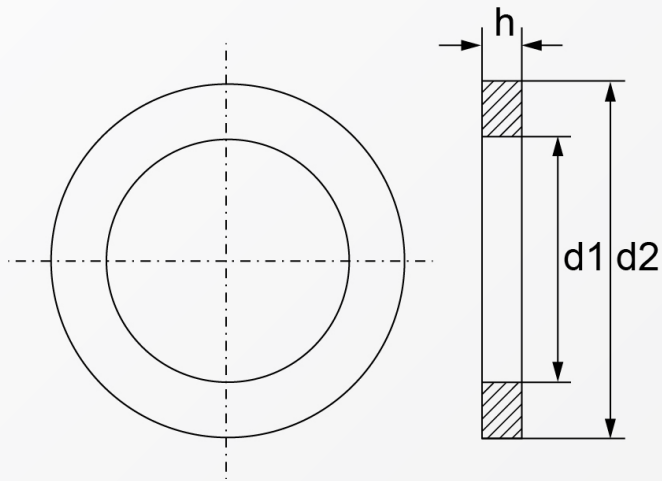
A2 | A4

PASSIVATED



FLAT WASHERS (SMALL OD)

STAINLESS STEEL A2 & A4



Nominal size = for screw		ISO 7092 (DIN 433)		
Metric (M)	Inch (")	d1	d2	h
1		1.1	2.5	0.3
1.2		1.3	3	0.3
1.4		1.5	3	0.3
1.6		1.7	3.5	0.3
*1.7				
1.8		2.0	4	0.3
2		2.2	4.5	0.3
2.2		2.4	4.5	0.3
2.5		2.7	5	0.5
*2.6				
3		3.2	6	0.5
3.5		3.7	7	0.5
4	*1/8"	4.3	10	0.5
5	*3/16	5.3	9	1
6		6.4	11	1.6
7	*1/4"	7.4	12	1.6
8	*5/16	8.4	15	1.6

Above datas are for reference only
*not included in ISO product standards → ISO 887

Part number built example:
e.g. (1) Diameter M8 in stainless A2 material >>SF-I195 M8
e.g. (2) Diameter M12 in stainless A4 material >>SF-I196 M12



✉ sales@synergixfast.com

🌐 www.synergixfast.com

☎ Phone: +65 6 316 2630 | Fax: +65 6 316 2730



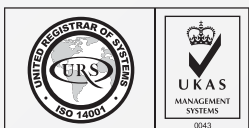
SF-I195 SERIES
SF-I196 SERIES

ISO 7092
DIN 433

STAINLESS
STEEL

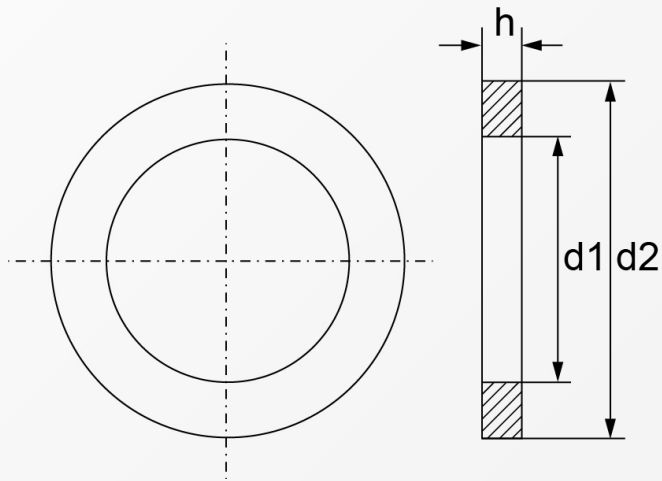
A2 | A4

PASSIVATED



FLAT WASHERS (SMALL OD)

STAINLESS STEEL A2 & A4



Nominal size = for screw		ISO 7092 (DIN 433)		
Metric (M)	Inch (")	d1	d2	h
10	*3/8"	10.5	18	16
12	*7/16"	13	20	2
	*1/2"			
14		15	24	2.5
	*9/16"			
16	*5/8"	17	28	2.5
18		19	30	3
20	*3/4"	21	34	3
	*13/16"			
22	*7/8"	23	37	3
24		35	39	4
	*1"			
27		28	44	4
30	*1 1/8"	31	50	4
33	*1 1/4"	34	56	5
	*1 3/8"			
36	*1 3/8"	37	60	5

Above datas are for reference only
*not included in ISO product standards → ISO 887

Part number built example:
e.g. (1) Diameter M8 in stainless A2 material >>SF-I195 M8
e.g. (2) Diameter M12 in stainless A4 material >>SF-I196 M12



sales@synergixfast.com

www.synergixfast.com

Phone: +65 6 316 2630 | Fax: +65 6 316 2730