



SF-I185 SERIES

WEDGE LOCK S (Ref.)

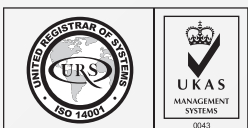
STAINLESS
STEEL

A4

PASSIVATED

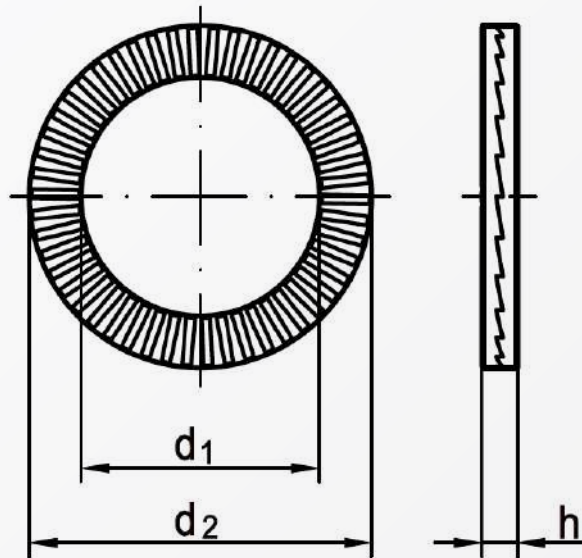


RoHS Directive Compliance



WEDGE LOCK WASHERS (TYPE S)

STAINLESS STEEL A4



Dimensions	d ₁	d ₂	h	for inch thread Ø
5	5.4	9	1.8	No. 10
6	6.5	10.8	1.8	-
8	8.7	13.5	2.5	5/16"
10	10.7	16.6	2.5	-
12	13	19.5	2.5	-
14	15.2	23	3.4	9/16"
16	17	25.4	3.4	5/8"
18	19.5	29	3.4	-
20	21.4	30.7	3.4	-
22	23.4	34.5	3.4	7/8"
24	25.3	39	3.4	-
27	28.4	42	6.6	-
30	31.4	47	6.6	1 1/8"
33	34.4	48.5	6.6	1 1/4"
36	37.4	55	6.6	1 3/8"

Above datas are for reference only

Part number built example:

e.g. (1) Diameter M10 in stainless A4 material >> SF-I185 NL10SS



sales@synergixfast.com



www.synergixfast.com



Phone: +65 6 316 2630 | Fax: +65 6 316 2730