



SF-I250 SERIES  
SF-I255 SERIES

DIN 7349

STAINLESS  
STEEL

A2 | A4

HV RATED 100

PASSIVATED

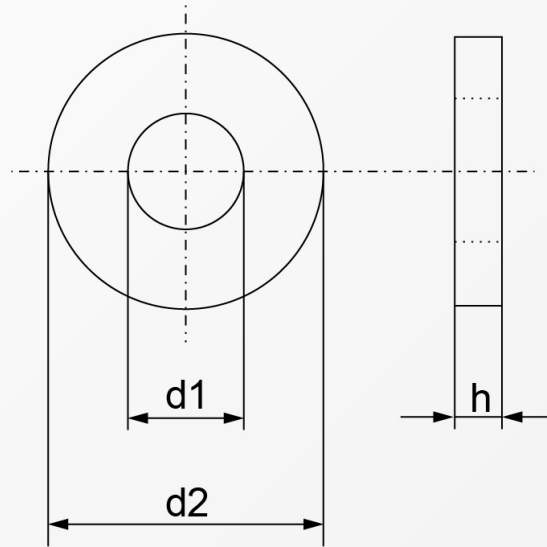


RoHS Directive Compliance



## THICK FLAT WASHERS (FOR BOLTS)

STAINLESS STEEL A2 | A4 | HV 100



d <sub>1</sub>	d <sub>2</sub>	h
3.2	9	1
4.3	12	1.6
5.3	15	2
6.4	17	3
8.4	21	4
10.5	25	4
13	30	6
15	36	6
17	40	6
19	44	8
21	44	8
23	50	8
25	50	10
28	60	10
31	68	10

Above datas are for reference only  
\*not included in ISO product standards → ISO 887

Note:  
I250 denotes stainless steel A2 HV 100  
I255 denotes stainless steel A4 HV 100

Part number built example:  
e.g. (1) Diameter M8 in stainless A2 HV 100   » SF-I250 M8  
e.g. (2) Diameter M6 in stainless A4 HV 100   » SF-I255 M6



sales@synergixfast.com



www.synergixfast.com



Phone: +65 6 316 2630 | Fax: +65 6 316 2730