



- SF-I310 SERIES
(0.1mm)
- SF-I320 SERIES
(0.2mm)
- SF-I323 SERIES
(0.25mm)
- SF-I325 SERIES
(0.3mm)
- SF-I330 SERIES
(0.5mm)
- SF-I300 SERIES
(1.0mm)
- SF-I303 SERIES
(1.5mm)
- SF-I305 SERIES
(2.0mm)

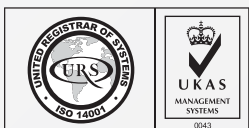
DIN 988

STEEL PLAIN

STAINLESS A2 (1.4310)

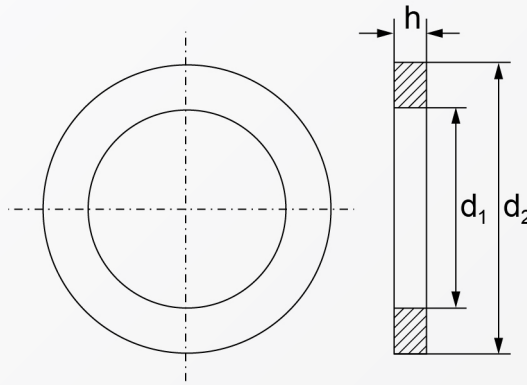


RoHS Directive Compliance



SHIM RING

STEEL PLAIN | STAINLESS A2 (1.4310)



d ₁	d ₂	Thickness Option (h)							
		0.1	0.2	-	0.3	0.5	-	-	-
3	6	0.1	0.2	-	0.3	0.5	-	-	-
4	8	0.1	0.2	-	0.3	0.5	-	-	-
5	10	0.1	0.2	-	0.3	0.5	1	-	-
6	12	0.1	0.2	0.25	0.3	0.5	1	-	-
7	13	-	-	-	0.3	0.5	1	-	-
8	14	0.1	0.2	0.25	0.3	0.5	1	-	-
9	15	0.1	0.2	-	-	0.5	1	-	-
10	16	0.1	0.2	0.25	0.3	0.5	1	1.5	-
12	18	0.1	0.2	0.25	0.3	0.5	1	-	2
14	20	0.1	0.2	0.25	0.3	0.5	1	-	-
15	21	0.1	0.2	-	0.3	0.5	1	-	2
16	22	0.1	0.2	0.25	-	0.5	1	-	-
17	24	0.1	0.2	-	0.3	0.5	1	-	-
18	25	0.1	0.2	0.25	0.3	0.5	1	-	-
20	28	0.1	0.2	0.25	0.3	0.5	1	-	-
22	30	0.1	0.2	-	-	0.5	1	1.5	-
22	32	0.1	0.2	-	0.3	0.5	1	-	-
25	35	0.1	0.2	0.25	0.3	0.5	1	1.5	2

Above datas are for reference only

Part number built example (By thickness option):

Steel plain option:

- e.g. (1) Size 5X12X0.1 >> SF-I310 5X12
- e.g. (2) Size 8X14X0.5 >> SF-I330 8X14
- e.g. (3) Size 10X16X1.0 >> SF-I300 10X16

Stainless option:

- e.g. (1) Size 5X12X0.1 >> SF-I310 5X12-SS
- e.g. (2) Size 8X14X0.5 >> SF-I330 8X14-SS
- e.g. (3) Size 10X16X1.0 >> SF-I300 10X16-SS



sales@synergixfast.com



www.synergixfast.com



Phone: +65 6 316 2630 | Fax: +65 6 316 2730

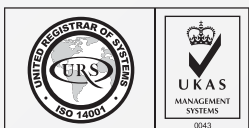


- SF-I310 SERIES
(0.1mm)
- SF-I320 SERIES
(0.2mm)
- SF-I323 SERIES
(0.25mm)
- SF-I325 SERIES
(0.3mm)
- SF-I330 SERIES
(0.5mm)
- SF-I300 SERIES
(1.0mm)
- SF-I303 SERIES
(1.5mm)
- SF-I305 SERIES
(2.0mm)

DIN 988

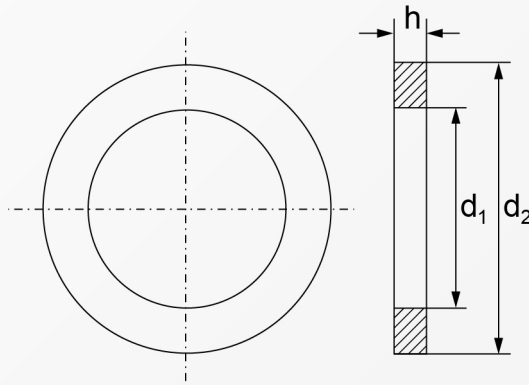
STEEL PLAIN

STAINLESS A2 (1.4310)



SHIM RING

STEEL PLAIN | STAINLESS A2 (1.4310)



d ₁	d ₂	Thickness Option (h)							
		-	-	-	-	0.5	1	-	-
25	36	-	-	-	-	0.5	1	-	-
26	37	0.1	0.2	0.25	-	0.5	1	-	-
28	40	0.1	0.2	0.25	0.3	0.5	1	-	-
30	42	0.1	0.2	0.25	0.3	0.5	1	1.5	2
32	45	0.1	0.2	-	0.3	0.5	1	1.5	2
35	45	0.1	0.2	-	0.3	0.5	1	1.5	2
37	47	0.1	0.2	0.25	0.3	0.5	1	-	2
40	50	0.1	0.2	-	0.3	0.5	1	1.5	2
42	52	0.1	0.2	-	0.3	0.5	1	-	2
45	55	0.1	0.2	-	0.3	0.5	1	-	2
48	60	-	-	-	-	0.5	1	-	-
50	62	0.1	0.2	-	0.3	0.5	1	1.5	2

Above datas are for reference only

Part number built example (By thickness option):

Steel plain option:

- e.g. (1) Size 5X12X0.1 >> SF-I310 5X12
- e.g. (2) Size 8X14X0.5 >> SF-I330 8X14
- e.g. (3) Size 10X16X1.0 >> SF-I300 10X16

Stainless option:

- e.g. (1) Size 5X12X0.1 >> SF-I310 5X12-SS
- e.g. (2) Size 8X14X0.5 >> SF-I330 8X14-SS
- e.g. (3) Size 10X16X1.0 >> SF-I300 10X16-SS



sales@synergixfast.com



www.synergixfast.com



Phone: +65 6 316 2630 | Fax: +65 6 316 2730