



SF-M015 SERIES

ISO 8735
DIN 7979D~

STEEL HARDENED
(m6 tol.)

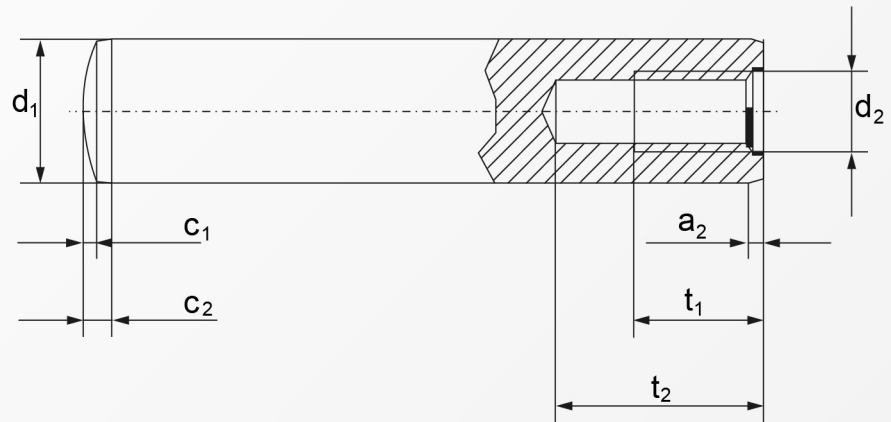


RoHS Directive Compliance



PARALLEL PINS (INTERNAL THREAD)

STEEL HARDENED (M6 TOL.)



Dimensions	a_2	c_1	c_2	d_2	t_1	$t_{2 \text{ min.}}$
4*	0.5	0.4	1.3	(M 2)	6	7
5*	0.6	0.5	1.7	(M 3)	6	7
6	0.8	0.6	2.1	M 4	6	10
8	1	0.8	2.6	M 5	8	12
10	1.2	1	3	M 6	10	16
12	1.6	1.2	3.8	M 6	10	16
14	1.8	1.4	4	M 8	12	20
16	2	1.6	4.7	M 8	12	20
20	2.5	2	6	M 10	16	25
25	3	2.5	6	M 16	24	34
30	4	3	7	M 20	30	42
40	5	4	8	M 20	30	42

Above datas are for reference only
*dimensions not listed in standard
d = nominal size, m6 tolerance

Note:

Part number built example:

e.g. (1) Diameter 6 X 20 with M4 thread, steel material » SF-M015 6X20/M4
e.g. (2) Diameter 10 X 40 with M6 thread, steel material » SF-M015 10X40/M6



sales@synergixfast.com



www.synergixfast.com



Phone: +65 6 316 2630 | Fax: +65 6 316 2730