

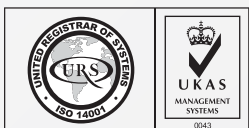


SF-M030 SERIES
SF-M150 SERIES

DIN 1481
ISO 8752

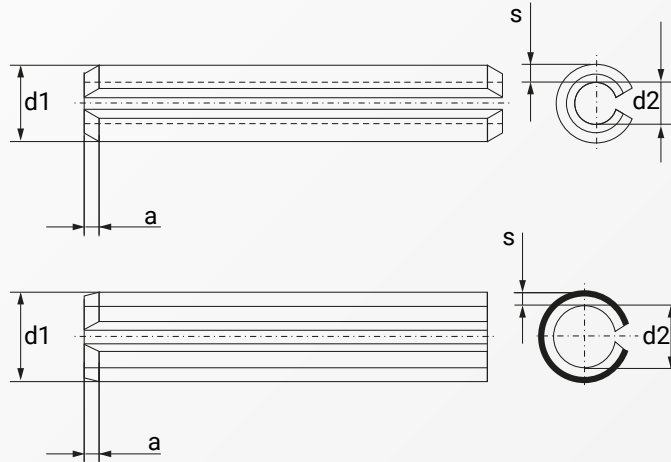
STEEL BLACK

STAINLESS STEEL
1.4310**



SPRING TYPE STRAIGHT PINS SLOTTED (HEAVY TYPE)

STAINLESS STEEL 1.4310**



Dimensions	a _{ISO min.}	d _{1 max.} ¹	d ₂ ¹	s	shear strength ²
1	0.15	1.3	0.8	0.2	0.7
1.5	0.25	1.8	1.1	0.3	1.58
2	0.35	2.4	1.5	0.4	2.82
2.5	0.4	2.9	1.8	0.5	4.38
3	0.5	3.5	2.1	0.6	6.32
3.5	0.6	4	2.3	0.75	9.06
4	0.65	4.6	2.8	0.8	11.24
4.5	0.8	5.1	2.9	1	15.36
5	0.9	5.6	3.4	1	17.54
6	1.2	6.7	3.9	1.25	26.04
7*	1.8	7.8	4	1.5	-
8	2	8.8	5.5	1.5	42.76
9*	2	9.5	6	2	-
10	2	10.8	6.5	2	70.16
12	2	12.8	7.5	2.5	104.1
13	2	13.8	8.5	2.5	115.12
14	2	14.8	8.5	3	144.7
16	2	16.8	10.5	3	171
18	2	18.9	11.5	3.5	222.5
20	3	20.9	12.5	4	280.6
21	3	21.9	13.5	4	298.2
25	3	25.9	15.5	5	438.5
28	3	28.9	17.5	5.5	542.6
30	3	30.9	18.5	6	631.4
35	3	35.9	21.5	7	859
40	4	40.9	25.5	7.5	1068

Above datas are for reference only

*dimensions not listed in standard

**stainless material up to diameter 10

1 dimension before installation

2 shear strength, double kN, ONLY for spring steel

Part number built example:

e.g. (1) Select Diameter 3X16 in steel material >> SF-M030 3X16

e.g. (2) Select Diameter 5X20 in stainless material >> SF-M150 5X20



sales@synergixfast.com



www.synergixfast.com



Phone: +65 6 316 2630 | Fax: +65 6 316 2730