



SF-K060 SERIES  
SF-K130 SERIES

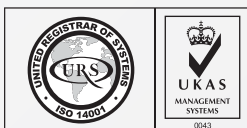
DIN 472

STEEL BLACK

STAINLESS STEEL  
1.4122\*\*

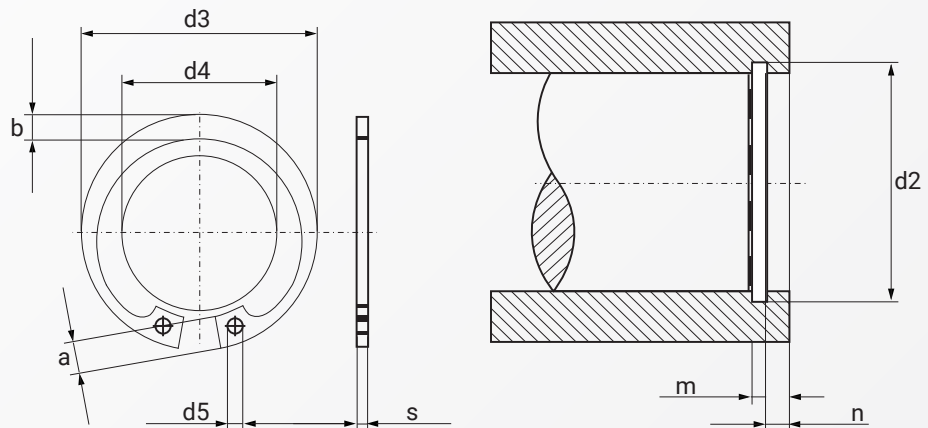


RoHS Directive Compliance



## RETAINING RING FOR BORES (NORMAL TYPE)

STEEL BLACK | STAINLESS STEEL 1.4122\*\*



Dimensions	s	d <sub>3</sub>	a	b	d <sub>5</sub>	d <sub>2</sub>	m	n	d <sub>4</sub>
8	0.8	8.7	2.4	1.1	1	8.4	0.9	0.6	3
9	0.8	9.8	2.5	1.3	1	9.4	0.9	0.6	3.7
10	1	10.8	3.2	1.4	1.2	10.4	1.1	0.6	3.3
11	1	11.8	3.3	1.5	1.2	11.4	1.1	0.6	4.1
12	1	13	3.4	1.7	1.5	12.5	1.1	0.8	4.9
13	1	14.1	3.6	1.8	1.5	13.6	1.1	0.9	5.4
14	1	15.1	3.7	1.9	1.7	14.6	1.1	0.9	6.2
15	1	16.2	3.7	2	1.7	15.7	1.1	1.1	7.2
16	1	17.3	3.8	2	1.7	16.8	1.1	1.2	8
17	1	18.3	3.9	2.1	1.7	17.8	1.1	1.2	8.8
18	1	19.5	4.1	2.2	2	19	1.1	1.5	9.4
19	1	20.5	4.1	2.2	2	20	1.1	1.5	10.4
20	1	21.5	4.2	2.3	2	21	1.1	1.5	11.2
21	1	22.5	4.2	2.4	2	22	1.1	1.5	12.2
22	1	23.5	4.2	2.5	2	23	1.1	1.5	13.2
23*	1.2	24.6	4.2	2.5	2	24.1	1.3	1.7	-
24	1.2	25.9	4.4	2.6	2	25.2	1.3	1.8	14.8
25	1.2	26.9	4.5	2.7	2	26.2	1.3	1.8	15.5
26	1.2	27.9	4.7	2.8	2	27.2	1.3	1.8	16.1
27*	1.2	29.1	4.7	2.9	2	28.4	1.3	2.1	-
28	1.2	30.1	4.8	2.9	2	29.4	1.3	2.1	17.9
29*	1.2	31.1	4.8	3	2	30.4	1.3	2.1	-

Above datas are for reference only  
\*dimensions not listed in standard  
\*\*stainless material up to diameter 100

Part number built example:

e.g. (1) Select Diameter 80 in steel material      »SF-K060 80.0  
e.g. (2) Select Diameter 45 in stainless material    »SF-K130 45.0



sales@synergixfast.com

www.synergixfast.com

Phone: +65 6 316 2630 | Fax: +65 6 316 2730



SF-K060 SERIES  
SF-K130 SERIES

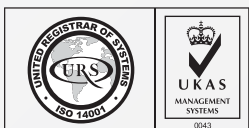
DIN 472

STEEL BLACK

STAINLESS STEEL  
1.4122\*\*

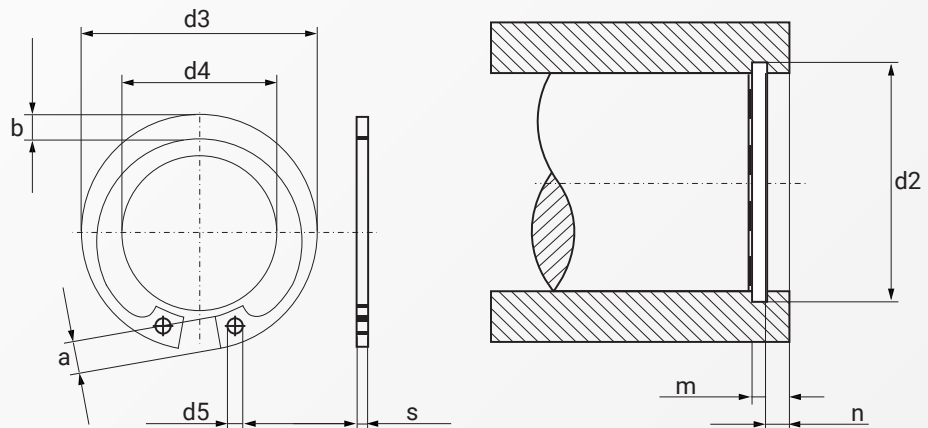


RoHS Directive Compliance



# RETAINING RING FOR BORES (NORMAL TYPE)

STEEL BLACK | STAINLESS STEEL 1.4122\*\*



Dimensions	s	d <sub>3</sub>	a	b	d <sub>5</sub>	d <sub>2</sub>	m	n	d <sub>4</sub>
30	1.2	32.1	4.8	3	2	31.4	1.3	2.1	19.9
31	1.2	33.4	5.2	3.2	2.5	32.7	1.3	2.6	20
32	1.2	34.4	5.4	3.2	2.5	33.7	1.3	2.6	20.6
33*	1.2	35.5	5.4	3.3	2.5	34.7	1.3	2.6	-
34	1.5	36.5	5.4	3.3	2.5	35.7	1.6	2.6	22.6
35	1.5	37.8	5.4	3.4	2.5	37	1.6	3	23.6
36	1.5	38.8	5.4	3.5	2.5	38	1.6	3	24.6
37	1.5	39.8	5.5	3.6	2.5	39	1.6	3	25.4
38	1.5	40.8	5.5	3.7	2.5	40	1.6	3	26.4
39*	1.5	42	5.6	3.8	2.5	41	1.6	3	-
40	1.75	43.5	5.8	3.9	2.5	42.5	1.85	3.8	27.8
41*	1.75	44.5	5.9	4	2.5	43.5	1.85	3.8	-
42	1.75	45.5	5.9	4.1	2.5	44.5	1.85	3.8	29.6
44*	1.75	47.5	6	4.2	2.5	46.5	1.85	3.8	-
45	1.75	48.5	6.2	4.3	2.5	47.5	1.85	3.8	32
46*	1.75	49.5	6.3	4.4	2.5	48.5	1.85	3.8	-
47	1.75	50.5	6.4	4.4	2.5	49.5	1.85	3.8	33.5
48	1.75	51.5	6.4	4.5	2.5	50.5	1.85	3.8	34.5
50	2	54.2	6.5	4.6	2.5	53	2.15	4.5	36.3
51*	2	55.2	6.5	4.7	2.5	54	2.15	4.5	-
52	2	56.2	6.7	4.7	2.5	55	2.15	4.5	37.9
53*	2	57.2	6.7	4.9	2.5	56	2.15	4.5	-

Above datas are for reference only  
\*dimensions not listed in standard  
\*\*stainless material up to diameter 100

Part number built example:

e.g. (1) Select Diameter 80 in steel material      »SF-K060 80.0  
e.g. (2) Select Diameter 45 in stainless material    »SF-K130 45.0



sales@synergixfast.com

www.synergixfast.com

Phone: +65 6 316 2630 | Fax: +65 6 316 2730



SF-K060 SERIES  
SF-K130 SERIES

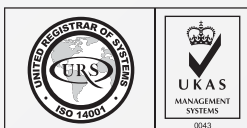
DIN 472

STEEL BLACK

STAINLESS STEEL  
1.4122\*\*

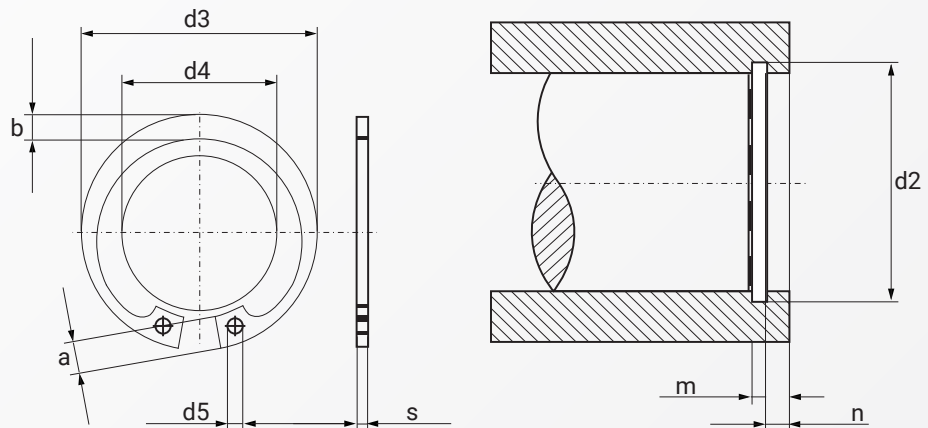


RoHS Directive Compliance



## RETAINING RING FOR BORES (NORMAL TYPE)

STEEL BLACK | STAINLESS STEEL 1.4122\*\*



Dimensions	s	d <sub>3</sub>	a	b	d <sub>5</sub>	d <sub>2</sub>	m	n	d <sub>4</sub>
54*	2	58.2	6.7	5	2.5	57	2.15	4.5	-
55	2	59.2	6.8	5	2.5	58	2.15	4.5	40.7
56	2	60.2	6.8	5.1	2.5	59	2.15	4.5	41.7
57*	2	61.2	6.8	5.5	2.5	60	2.15	4.5	-
58	2	62.2	6.9	5.2	2.5	61	2.15	4.5	43.5
60	2	64.2	7.3	5.4	2.5	63	2.15	4.5	44.7
62	2	66.2	7.3	5.5	2.5	65	2.15	4.5	46.7
63	2	67.2	7.3	5.6	2.5	66	2.15	4.5	47.7
64*	2	68.2	7.4	5.7	2.5	67	2.15	4.5	-
65	2.5	69.2	7.6	5.8	3	68	2.65	4.5	49
67*	2.5	71.5	7.7	6	3	70	2.65	4.5	-
68	2.5	72.5	7.8	6.1	3	71	2.65	4.5	51.6
70	2.5	74.5	7.8	6.2	3	73	2.65	4.5	53.6
72	2.5	76.5	7.8	6.4	3	75	2.65	4.5	55.6
75	2.5	79.5	7.8	6.6	3	78	2.65	4.5	58.6
77*	2.5	82.5	8.5	6.8	3	80	2.65	4.5	-
78	2.5	82.5	8.5	6.8	3	81	2.65	4.5	60.1
80	2.5	85.5	8.5	7	3	83.5	2.65	5.3	62.1
82	2.5	87.5	8.5	7	3	85.5	2.65	5.3	64.1
85	3	90.5	8.6	7.2	3.5	88.5	3.15	5.3	66.9
88	3	93.5	8.6	7.4	3.5	91.5	3.15	5.3	69.9
90	3	95.5	8.6	7.6	3.5	93.5	3.15	5.3	71.9

Above datas are for reference only  
\*dimensions not listed in standard  
\*\*stainless material up to diameter 100

Part number built example:

e.g. (1) Select Diameter 80 in steel material      »SF-K060 80.0  
e.g. (2) Select Diameter 45 in stainless material    »SF-K130 45.0



sales@synergixfast.com



www.synergixfast.com



Phone: +65 6 316 2630 | Fax: +65 6 316 2730



SF-K060 SERIES  
SF-K130 SERIES

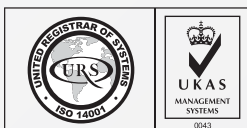
DIN 472

STEEL BLACK

STAINLESS STEEL  
1.4122\*\*

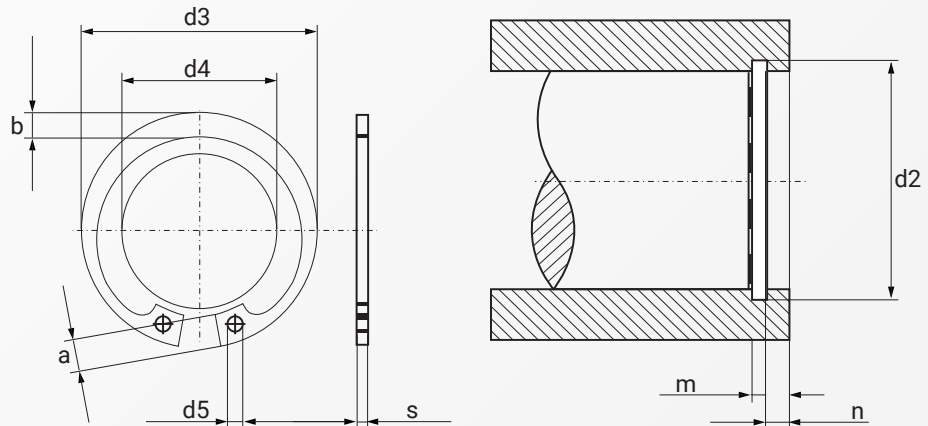


RoHS Directive Compliance



# RETAINING RING FOR BORES (NORMAL TYPE)

STEEL BLACK | STAINLESS STEEL 1.4122\*\*



Dimensions	s	d <sub>3</sub>	a	b	d <sub>5</sub>	d <sub>2</sub>	m	n	d <sub>4</sub>
92	3	97.5	8.7	7.8	3.5	95.5	3.15	5.3	73.7
95	3	100.5	8.8	8.1	3.5	98.5	3.15	5.3	76.5
97*	3	103.5	9	8.3	3.5	100.5	3.15	5.3	-
98	3	103.5	9	8.3	3.5	101.5	3.15	5.3	79
100	3	105.5	9.2	8.4	3.5	103.5	3.15	5.3	80.6
102	4	108	9.5	8.5	3.5	106	4.15	6	82
105	4	112	9.5	8.7	3.5	109	4.15	6	85
108	4	115	9.5	8.9	3.5	112	4.15	6	88
110	4	117	10.4	9	3.5	114	4.15	6	88.2
112	4	119	10.5	9.1	3.5	116	4.15	6	90
115	4	122	10.5	9.3	3.5	119	4.15	6	93
118*	4	125	10.7	9.6	3.5	122	4.15	6	-
120	4	127	11	9.7	3.5	124	4.15	6	96.9
122*	4	129	11	9.8	4	126	4.15	6	-
125	4	132	11	10	4	129	4.15	6	101.9
128*	4	135	11	10.2	4	132	4.15	6	-
130	4	137	11	10.2	4	134	4.15	6	106.9
132*	4	139	11	10.3	4	136	4.15	6	-
135	4	142	11.2	10.5	4	139	4.15	6	111.5
138*	4	145	11.2	10.6	4	142	4.15	6	-
140	4	147	11.2	10.7	4	144	4.15	6	116.5
142*	4	149	11.3	10.8	4	146	4.15	6	-

Above datas are for reference only  
\*dimensions not listed in standard  
\*\*stainless material up to diameter 100

Part number built example:

e.g. (1) Select Diameter 80 in steel material      »SF-K060 80.0  
e.g. (2) Select Diameter 45 in stainless material    »SF-K130 45.0



sales@synergixfast.com

www.synergixfast.com

Phone: +65 6 316 2630 | Fax: +65 6 316 2730



SF-K060 SERIES  
SF-K130 SERIES

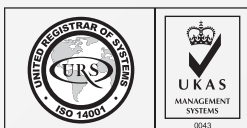
DIN 472

STEEL BLACK

STAINLESS STEEL  
1.4122\*\*

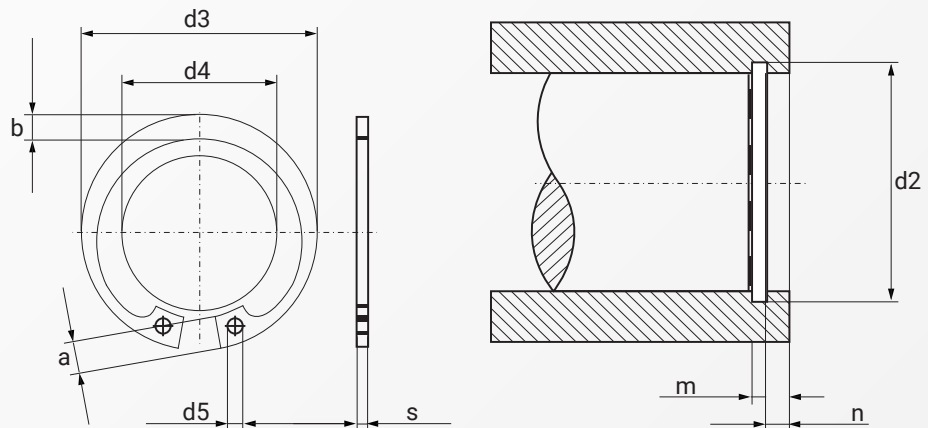


RoHS Directive Compliance



# RETAINING RING FOR BORES (NORMAL TYPE)

STEEL BLACK | STAINLESS STEEL 1.4122\*\*



Dimensions	s	d <sub>3</sub>	a	b	d <sub>5</sub>	d <sub>2</sub>	m	n	d <sub>4</sub>
145	4	152	11.4	10.9	4	149	4.15	6	121
148*	4	155	11.8	11.1	4	152	4.15	6	-
150	4	158	12	11.2	4	155	4.15	7.5	124.8
152*	4	161	12	11.3	4	157	4.15	7.5	-
155	4	164	12	11.4	4	160	4.15	7.5	129.8
160	4	169	13	11.6	4	165	4.15	7.5	132.7
165	4	174.5	13	11.8	4	170	4.15	7.5	137.7
168*	4	177.5	13.5	12.1	4	173	4.15	7.5	-
170	4	179.5	13.5	12.2	4	175	4.15	7.5	141.6
175	4	184.5	13.5	12.7	4	180	4.15	7.5	146.6
180	4	189.5	14.2	13.2	4	185	4.15	7.5	150.2
185	4	194.5	14.2	13.7	4	190	4.15	7.5	155.2
190	4	199.5	14.2	13.8	4	195	4.15	7.5	160.2
195	4	204.5	14.2	13.8	4	200	4.15	7.5	165.2
200	4	209.5	14.2	14	4	205	4.15	7.5	170.2
205*	5	217	14.2	14	4	211	5.15	9	-
210	5	222	14.2	14	4	216	5.15	9	180.2
215*	5	227	14.2	14	4	221	5.15	9	-
220	5	232	14.2	14	4	226	5.15	9	190.2
225*	5	237	14.2	14	4	231	5.15	9	-
230	5	242	14.2	14	4	236	5.15	9	200.2
240	5	252	14.2	14	4	246	5.15	9	210.2

Above datas are for reference only  
\*dimensions not listed in standard  
\*\*stainless material up to diameter 100

Part number built example:

e.g. (1) Select Diameter 80 in steel material      »SF-K060 80.0  
e.g. (2) Select Diameter 45 in stainless material    »SF-K130 45.0



sales@synergixfast.com



www.synergixfast.com



Phone: +65 6 316 2630 | Fax: +65 6 316 2730



SF-K060 SERIES  
SF-K130 SERIES

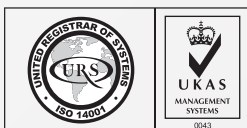
DIN 472

STEEL BLACK

STAINLESS STEEL  
1.4122\*\*

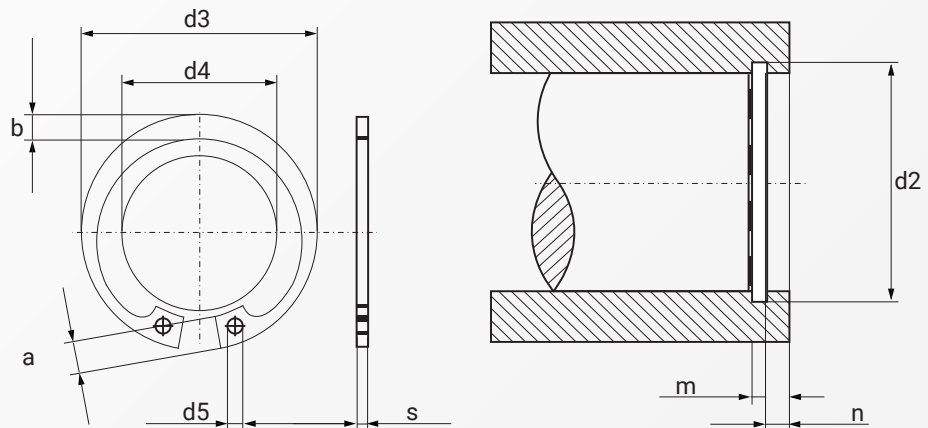


RoHS Directive Compliance



# RETAINING RING FOR BORES (NORMAL TYPE)

STEEL BLACK | STAINLESS STEEL 1.4122\*\*



Dimensions	s	d <sub>3</sub>	a	b	d <sub>5</sub>	d <sub>2</sub>	m	n	d <sub>4</sub>
245*	5	257	14.2	14	4	251	5.15	9	-
250	5	262	14.2	14	4	256	5.15	9	220.2
255*	5	270	16.2	16	5	263	5.15	12	-
260	5	275	16.2	16	5	268	5.15	12	226
265*	5	280	16.2	16	5	273	5.15	12	-
270	5	285	16.2	16	5	278	5.15	12	236
275*	5	290	16.2	16	5	283	5.15	12	-
280	5	295	16.2	16	5	288	5.15	12	246
285	5	300	16.2	16	5	293	5.15	12	-
290	5	305	16.2	16	5	298	5.15	12	256
295*	5	310	16.2	16	5	303	5.15	12	-
300	5	315	16.2	16	5	308	5.15	12	266
310*	6	327	-	20	6	320	3.2	15	-
320*	6	337	-	20	6	330	6.2	15	-
340*	6	357	-	20	6	350	6.2	15	-
360*	6	377	-	20	6	370	6.2	15	-

Above datas are for reference only  
\*dimensions not listed in standard  
\*\*stainless material up to diameter 100

Part number built example:

e.g. (1) Select Diameter 80 in steel material      »SF-K060 80.0  
e.g. (2) Select Diameter 45 in stainless material    »SF-K130 45.0



sales@synergixfast.com



www.synergixfast.com



Phone: +65 6 316 2630 | Fax: +65 6 316 2730